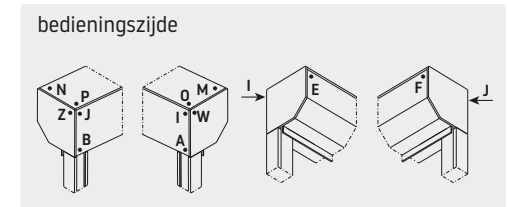
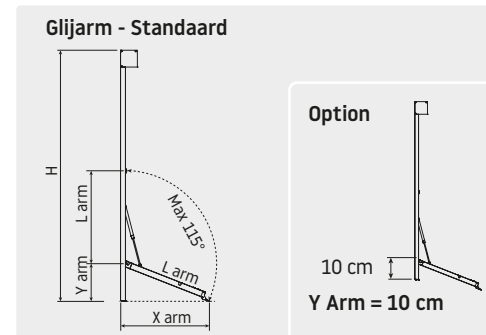
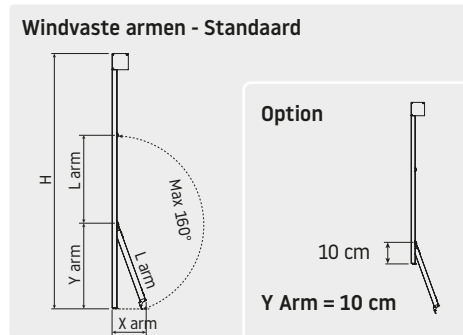


# Bestelformulier: Markisolette



BEDRIJF: \_\_\_\_\_  
 REFERENTIE: \_\_\_\_\_  
 DATUM: \_\_\_\_\_  
 TELEFOON: \_\_\_\_\_



nr	totale maat van markizoleta		aantal	type kast								kleur omkasting	Windvaste armen		Glijarm		Option Y Arm = 10 cm	Extra (Meerprijs)		bediening motor	bedieningszijde	doek nummer
	breedte cm	hoogte cm		85 schuin	85 half rond	85 recht	95 schuin	95 recht	95 rond	105 schuin	105 recht		Windvaste armen		Glijarm			opvulprofiel	afstandshouder			
													55 cm	100 cm	55 cm	100 cm						
1				<input type="radio"/>	<input type="radio"/>	<input type="radio"/>	<input type="radio"/>	<input type="radio"/>	<input type="radio"/>	<input type="radio"/>												
2				<input type="radio"/>	<input type="radio"/>	<input type="radio"/>	<input type="radio"/>	<input type="radio"/>	<input type="radio"/>	<input type="radio"/>												
3				<input type="radio"/>	<input type="radio"/>	<input type="radio"/>	<input type="radio"/>	<input type="radio"/>	<input type="radio"/>	<input type="radio"/>												
4				<input type="radio"/>	<input type="radio"/>	<input type="radio"/>	<input type="radio"/>	<input type="radio"/>	<input type="radio"/>	<input type="radio"/>												
5				<input type="radio"/>	<input type="radio"/>	<input type="radio"/>	<input type="radio"/>	<input type="radio"/>	<input type="radio"/>	<input type="radio"/>												
6				<input type="radio"/>	<input type="radio"/>	<input type="radio"/>	<input type="radio"/>	<input type="radio"/>	<input type="radio"/>	<input type="radio"/>												

Onze doeken worden standaard in banen geleverd.

**Afstandsbediening**

<input type="checkbox"/> gestikt	<input type="checkbox"/> verlijmd
----------------------------------	-----------------------------------

**motor Somfy**

<input type="checkbox"/> LT50	<input type="checkbox"/> ALTUS WT	<input type="checkbox"/> ALTUS RTS 50	<input type="checkbox"/> SUNILUS SCR 10
-------------------------------	-----------------------------------	---------------------------------------	---

**motor FaHer**

<input type="checkbox"/> ONE	<input type="checkbox"/> RADIO Standard	<input type="checkbox"/> SHORT	<input type="checkbox"/> ARRAS	<input type="checkbox"/> SOLAR BI MOTOR
------------------------------	---	--------------------------------	--------------------------------	---

**Opmerkingen**

e-mail: [order@sunshade-experts.com](mailto:order@sunshade-experts.com)